

TC-NC252/4

2MP Vandalproof Mini IR Dome Camera

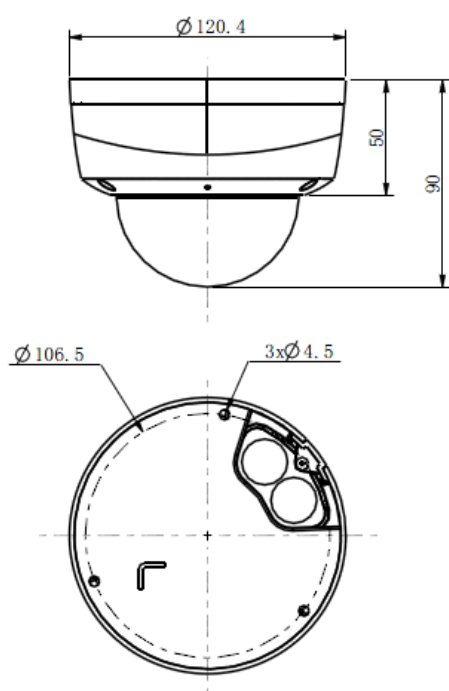
Tiandy



Features

- Cable Free Design
- Plug-in Free, Support IE, Chrome, Firefox and Safari
- Up to 1920X1080 High Resolution
- Smart IR, IR Range: 20m~30m
- Triple Streams
- Tripwire/Perimeter Detection
- 1ch Mic in, MicroSD Card Slot, up to 128GB, Reset Button
- TVS 6000V, Lightning/Surge 2000V Protection, IK10, IP67
- CE, FCC

Dimensions



Camera	
Image Sensor	1/2.7" CMOS
Core Processor	ARM9 Architecture
Operating System	Embedded Linux
Signal System	PAL/NTSC
Min. Illumination	Color: 0.05 Lux @(F1.2, AGC ON) B/W: 0.01Lux @(F1.2, AGC ON); 0 Lux with IR
Shutter Time	1s to 1/10,000s
Lens	2.8mm/4mm, 109.3°/86.5°
Lens Mount	φ12
Auto Iris	N/A
Adjustment Range	Pan: 0° - 355°, Tilt: 0° - 75°, Rotation: 0° - 355°
Day & Night	IR Cut Filter with Auto Switch
Wide Dynamic Range	100 dB
Digital Noise Reduction	3D DNR
Compression Standard	
Video Compression	H.264/M-JPEG
Video Bit Rate	32Kbps~16Mbps
Audio Compression	G.711/G.711U/ADPCM
Audio Bit Rate	G711 8KHz, 64kbps ADPCM 8KHz, 32kbps
Image	
Max. Image Resolution	1920x1080
Frame Rate	50Hz: 25fps (1920 × 1080), 25fps (1280 × 720) 60Hz: 30fps (1920 × 1080), 30fps (1280 × 720)
Triple Stream	Mainstream: 1080P(1920*1080) Substream: D1(704*576) 3rd stream: CIF(352*288)
Image Settings	Brightness, Saturation, Contrast, Flip Mode Adjustable by Client Software or Web Browser
HLC	Y
Smart Defog	Y
Corridor Format	Y(Only for 1080P)
EIS	Y
ROI	4 Zones
Privacy Mask	4 Zones
Picture Overlay	200 × 200, BMP 24bit, Zone Configurable
OSD	16×16, 32×32, 24×24, 48×48, 64×64, 96×96 Size Letters Such as Week, Date, Time, Total 5 Regions
Network	
Browser	IE, Chrome, Firefox, Safari, Plug-in Free
Network Storage	FTP
NTP	Y
Video Analytics	Tripwire/Perimeter
Alarm Trigger	Motion Detection/IP Conflict/MAC Conflict/Port Alarm/Mask Alarm
Protocols	IPV4/IPV6/HTTP/802.1x/FTP/SMTP/UPnP/SNMP/DNS/DDNS/NTP/RTSP/TCP/UDP/DHCP/PPPoE
User Permission	4 Level/8 Users
Remote Connection	3 Users Access at the Same Time
System Compatibility	ONVIF (Profile S), SDK, CGI
Interface	
Audio Input	1-ch, Mic in
Audio Output	N/A
Communication Interface	1-ch RJ45 10M / 100M Ethernet Interface
Alarm Input	N/A
Alarm Output	N/A
Video Output	N/A
On-board Storage	MicroSD Card Slot, up to 128GB
Reset	Y
General	
Language	English, Spanish, Korean, Italian, Turkish, Thai, Russian, Traditional Chinese
Operating Conditions	-30℃~60℃(IR OFF) / -20℃~40℃(IR ON), 0~95% RHG
Power Supply	DC 12 V ± 10%, PoE (802.3af)
Power Consumption	Max. 3W(IR OFF) (ICR Instant Switch 10W) Max. 5W(IR ON)
Circuit Protection	TVS 6000V, Lightning/Surge 1000V Protection
Impact Protection	IP67, IK10
IR Range	20m~30m
IR LEDs	8pcs Array
Dimensions	120mm×120mm×90mm
Weight	0.7KG (IP Camera Only); 0.9KG (with Packing Box)

* The latest product information / specification can be found at <http://en.tiandy.com/>

